

DM720

LOOP POWERED INDICATOR



Status Business Park, Gannaway Lane
Tewkesbury Glos. GL20 8FD. UK
Tel: +44 (0)1684 296818 Fax: +44 (0)1684 293746
Email: support@status.co.uk

Every effort has been taken to ensure the accuracy of this specification, however we do not accept responsibility for damage, injury, loss or expense resulting from errors and omissions, and we reserve the right of amendment without notice



Important – Read this document before installing.



1.0 DESCRIPTION

The DM720 is a compact panel mounted loop powered indicator that is designed to connect in series with a 4/20mA current loop and display the value in engineering units.

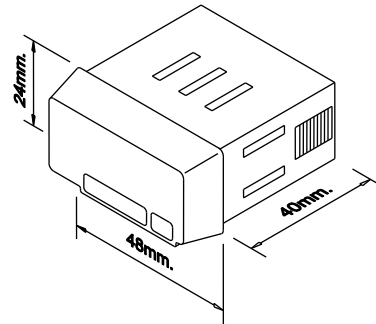
The DM720 is housed in a 48x24mm DIN standard panel mount case and provides 10mm high LED digits. The engineering range is programmed by using easily accessible push buttons. The design of the product means no external power supply is needed and it requires less than 5V from the current loop.

2.0 RECEIVING AND UNPACKING

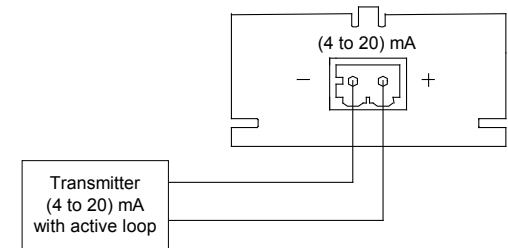
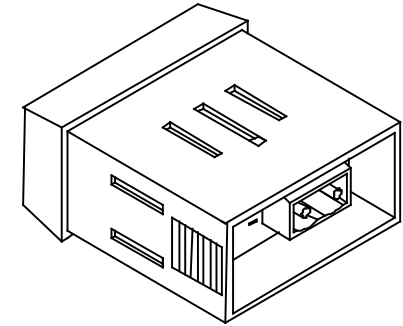
Please inspect the packaging and instrument thoroughly for any signs of transit damage. If the instrument has been damaged, please notify your supplier immediately.

3.0 SPECIFICATION @ 20 °C

Current Range	Input	(4 to 20) mA
Resolution		0.01 mA
Input Impedance		10 Ω
Accuracy		±(0.1% of rdg +3 digits)
Temperature coefficient		100 ppm / °C
Warm up		5 minutes
Loop drop (4 to 20) mA		< 5V
Conversion		
Technical	Single slope	
Resolution	16 bits	
Rate	62 / s	
Display		
Range	-1999 to 9999	
Type	4 red digits 10mm	
Reading rate	2 / s	
Overflow indication	DU E	
Environmental		
Operating temperature	(-10 to +60) °C	
Storage temperature	(-25 to +85) °C	
Relative humidity (non condensed)	<95 % at 40 °C	
Maximum altitude	2000 M	
Panel sealing	IP65	
Mechanical		
Dimensions	48 x 24 x 40 mm	
Panel cutout	22 x 45 mm	
Weight	50 g	
Case material	Polycarbonate s /UL 94 V-0	



4.0 ELECTRICAL CONNECTIONS



WARNING

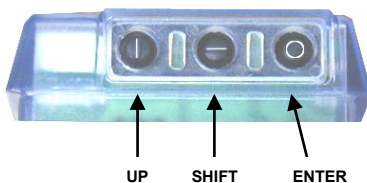
In order to guarantee electromagnetic compatibility, the following guidelines for cable wiring must be followed:
Use shielded cable for signal wiring and connect the shield to ground.

The cable section must be $\geq 0.25 \text{ mm}^2$

CLEANING: The frontal cover should be cleaned only with a soft cloth soaked in a neutral soap product.

DO NOT USE SOLVENTS

KEYBOARD DETAIL (bottom view)



Programming Notes

- SCAL:** Programming method introducing **InP1** and **InP2** values by keyboard.
- tEAC:** *Programming method where instrument learns actual values of **InP1** and **InP2**.
Use Calibrator to set low value (Min. 4 mA.) at INP1 and high value (Max 20 mA.) at INP2
- InP1:** **InP2** : Input signal values corresponding to desired display **dSP1** and **dSP2** .
- dSP1:** Display value corresponding to **InP1**.
- dSP2:** Display value corresponding to **InP2**.
- LC 0:** Programming unlocked.
- LC 1:** Programming totally locked. (Show all parameters like **dAtA**) .
- Err:** Error on programmed parameter.
- Stor:** Stores the whole configuration parameters.

- ⊙ ENTER: Enter programming mode and accepts data
- ⊖ SHIFT: In programming mode selects mode or moves decimal point
- Ⓜ UP: In programming mode increases the value of the decimal point

